

OCTOPUS Magnetic Switch Specification



www.electfreaks.com

1. Introduction

OCTOPUS Magnetic Switch is a kind of electric brick carrying magnetic switch and compatible with OCTOPUS series. It mainly consists of WBSF12 dry reed switch. WBSF12 is a dry reed tube with frequently open contact point. When magnet come close to a certain distance, switch within WBSF12 will close. Under this principle, it can be used to detect magnet around. With magnet and WBSF12 combined, it can control links between electronic components.

2. Features

- Swift motion, small volume
- Contact point has very good anti-corrosion and wear resistance
- Long life span
- Working current: 200mA (MAX)
- Working temperature -55 ~ 125°C
- Size: 23.48mm×31.28mm

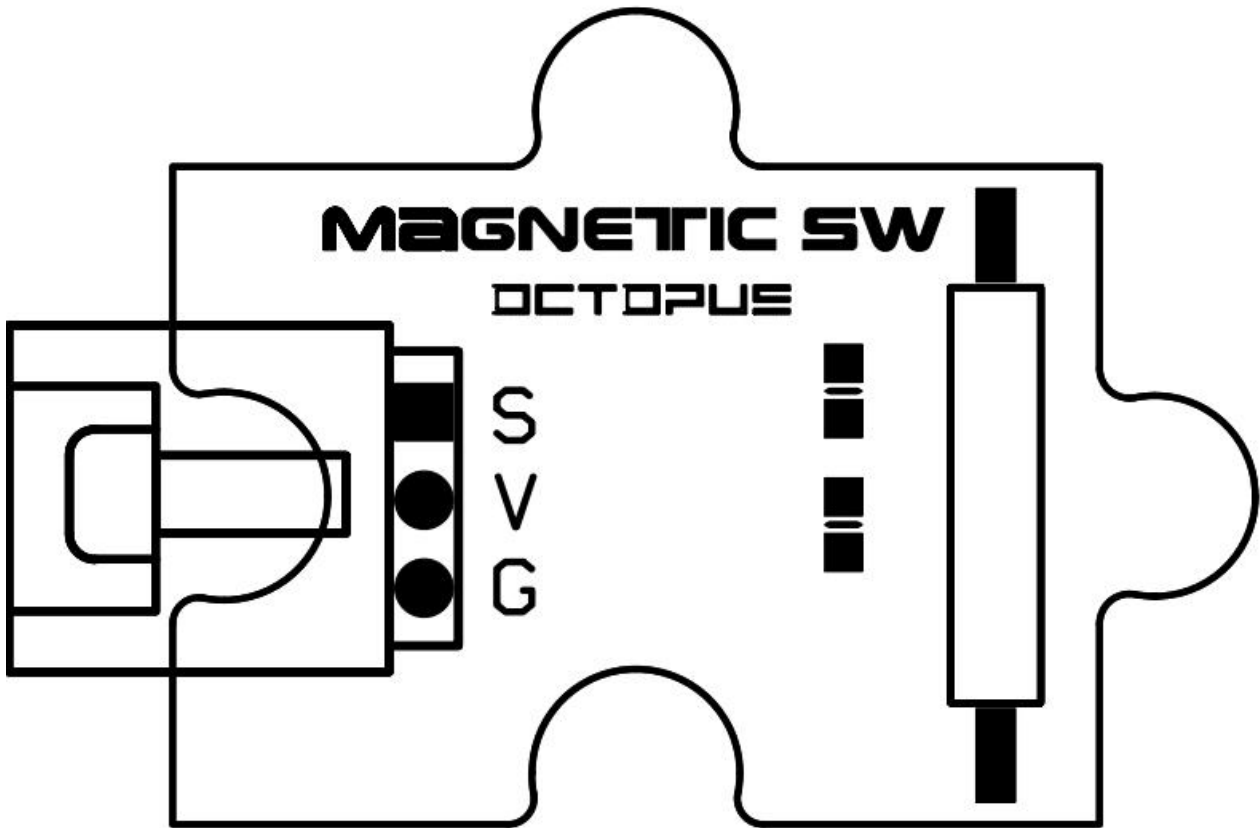
3. Application

- Can be used to liquid sensor, close sensor
- Security Alarming System
- Door magnetic switch
- Runner Machine
- Taximeter

4. Electronic Properties

PARAMETER	MIN	TYP	MAX	UNIT
Power Supply Voltage	-	5	-	V
Working current			200	mA

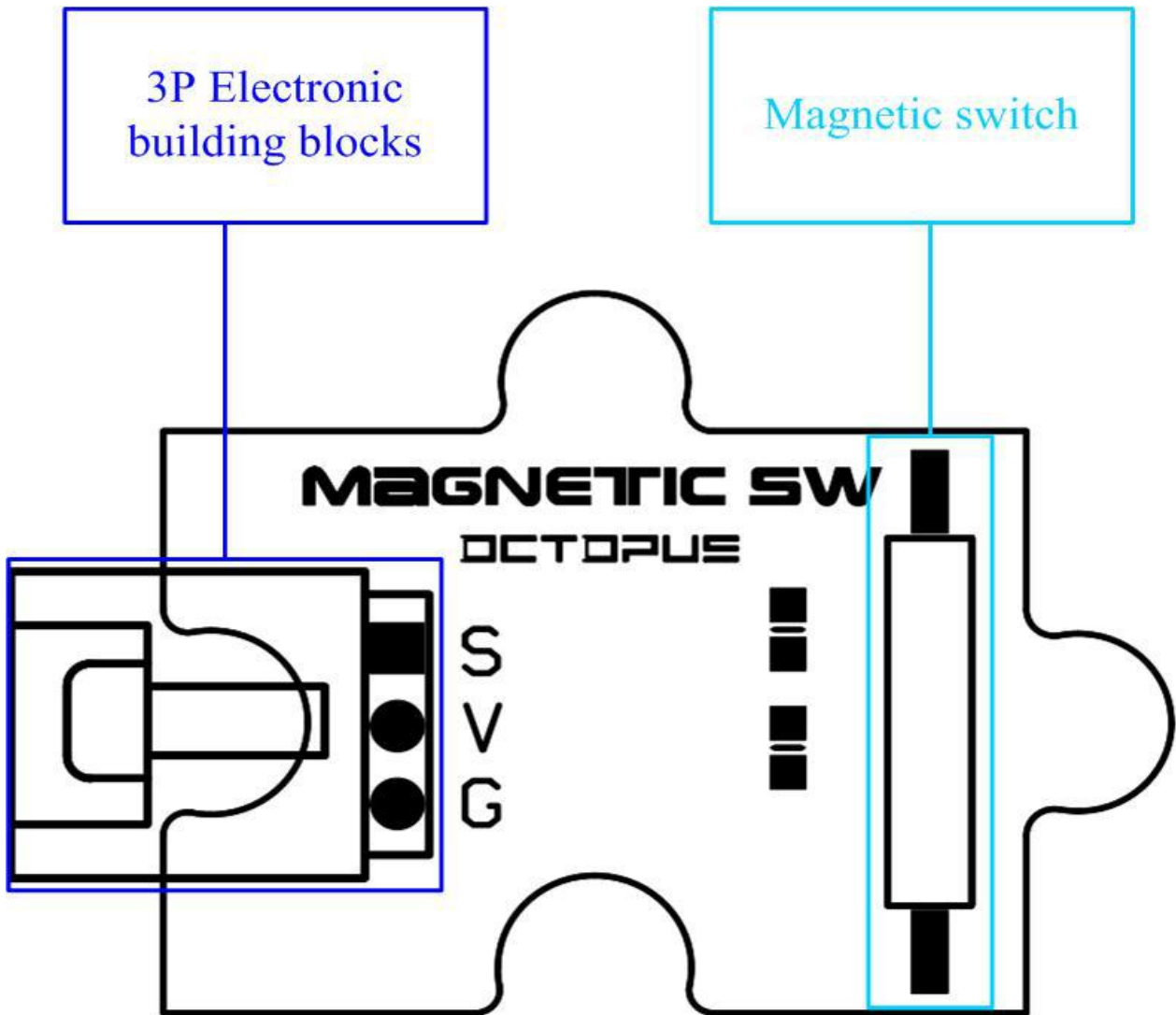
5. Footers



Picture 1 Footers

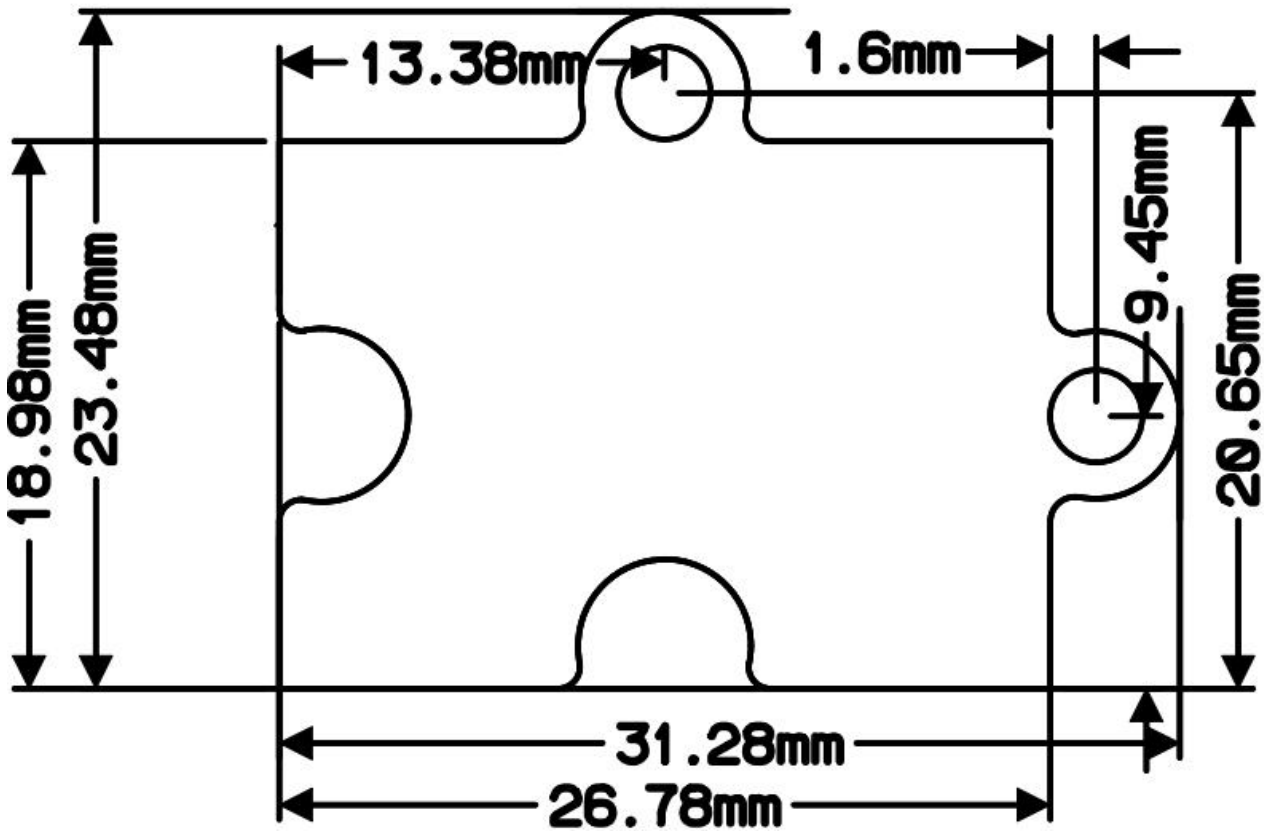
Type	Symbol	Description
Magnetic SW	S	Signal Output
	V	POWER Supply 5V
	G	POWER Ground

6. Connectors



Picture 2 Connectors

7. Dimension



Picture 3 Dimension

8. Revision

REVISION	DESCRIPTION	RELEASE DATE
V1.0	Initial version	03/29/2017

9. Contact

For more information, please log on <http://www.elecbreaks.com>.